



GUANELLA PASS ROAD

Cor-ten Guardrail



Description:

W-shaped steel beam guardrail. Cor-ten is corrosion-resistant steel that takes on a rust-colored appearance over time to create a more weathered and rustic appearance.

Approximate Cost:

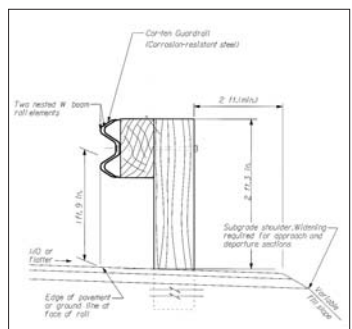
\$38.00 to \$50.00 a linear meter (\$11.50 to \$15.30 linear foot).

Advantages

- ◆ Mid-Range Cost.
- ◆ Blends in with the surroundings.
- ◆ Maintenance and repair cost are low.
- ◆ Choice in end terminals.

Disadvantages

- ◆ Appearance not as natural as timber.



Acid-Etched Guardrail



Description:

W-shaped steel beam guardrail. Galvanized steel is stained and darkened to create a dull, dark gray rather than a shiny appearance.

Approximate Cost:

\$38.00 to \$50.00 a linear meter (\$11.50 to \$15.30 linear foot).

Advantages

- ◆ Mid-Range Cost.
- ◆ Blends in with the surroundings.
- ◆ Maintenance and repair cost are low.
- ◆ Choice in end terminals.

Disadvantages

- ◆ Some reflectivity.
- ◆ Color of Guardrail sections may not be consistent.
- ◆ Does not blend in to natural surroundings as well as timber or Cor-ten.

